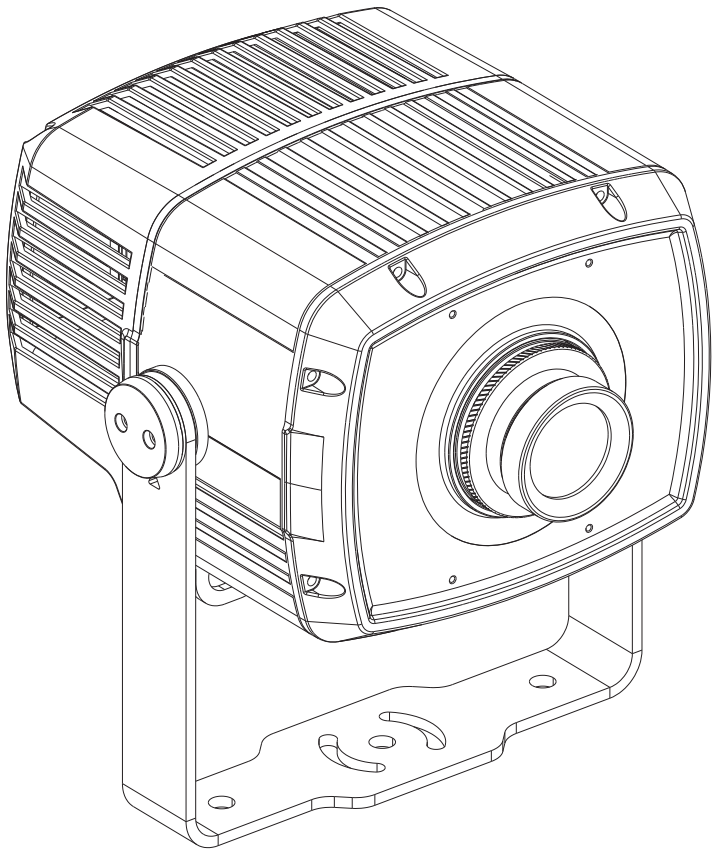


LL-300 W

USER MANUAL



CE

Version:1.0

JOLLY[®]

Table of content

1.Open–Package guidelines.....	1
1. 1 Package.....	1
2.Safety instructions.....	1
3.Operating determination.....	2
4.Rigging the fixture.....	3
4.1 Mounting.....	3
4.2Installing the Clamps.....	3
4.3 Power supply connection and cut off.....	4
4.4 Power Connection.....	4
4.5 DMX–512 connection/connection between fixtures.....	4
5.Description of the device.....	6
6.Dimension.....	7
7.Display control.....	7
7.1 Navigation in the Menu.....	7
7.2 Display Operation.....	7
7.3 Menu Maps.....	8
8.DMX protocol.....	9
9.Maintance and cleaning.....	10
10.Electric equipment specification.....	11
10.1 Electrical paramters.....	11
10.2 Weight and dimensions.....	11
10.3 Channel Characteristics.....	11
10.4 Menu Function.....	11
10.5 Color Wheel.....	11
11.Electronic drawing.....	12

Congratulations on choosing our products! Please carefully read this instruction manual in its entirety and keep it well for using reference. This manual contained about the installation and the relative using information of this products. Plese refere this manual's relative instruction when using this equipment.

1. Open–Package guidelines

This equipment is made of new style, high intensity plastic. It fully shows the modern times light characteristic with beauty structure. And it is made according to CE standard. Fully agree with the international standard of DMX512 agreement.

When receive the product, please be careful to take and put, check if the product has damage or not because of transportation, and check the following parts:

- | | |
|---------------------|-----------------------|
| 1. Signal cable-1PC | 2. Safty cable-1PC |
| 3. User Manual-1PC | 4. Omega bracket-1PCS |
| 5. Service card-1PC | |

1.1 Package

Unpacking the fixture

1. Open the flight case cover.
2. With one person on each side, lift the fixture out of the flight case.

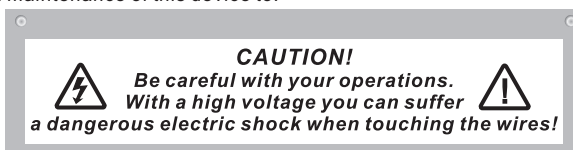
Packing the fixture

1. Disconnect the fixture from power and allow it to cool.
2. Adjust the rotating support, place it in the box.

2. Safety instructions

Every person involved with installation and maintenance of this device to:

- Be qualified
- Follow the instructions of this manual.



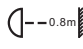
This device has been shipped with our premises in absolutely perfect condition. In order to maintain this condition and to ensure a safe operation, it is absolutely necessary for the user to follow the safety instructions and warning notes written in this manual.

Important:

- The manufacturer will not accept liability for any resulting damages caused by the nonobservance of this manual or any unauthorized modification to the device.
- Please consider that damages caused by manual modifications to the device are not subject to warranty.
- Never let the power-cord come into contact with other cables! Handle the power cord and all connections with particular caution!
- Make sure that the available voltage is not higher than stated on the rear panel.
- Always plug in the power plug least. Make sure that the power-switch is set to off-position before you connect with the mains with particular caution!
- Make sure that the power-cord is never crimped or damaged by sharp edges. Check the device and the power-cord from time to time.
- Always disconnect from the mains, when the device is not in use or before cleaning it.
- Only handle the power-cord by the plug. Never pull out the plug by tugging the powercord.
- This device falls under protection class I. Therefore it is essential to connect the yellow/green conductor to earth.
- The electric connection, repairs and servicing must be carried out by a qualified employee.
- Do not connect this device to a dimmer pack.
- Do not switch the fixture on and off in short intervals as this would reduce the lamp's life.
- Do not touch the device's housing bare hands during its operation (housing becomes hot)!
- For replacement use lamps and fuses of same type and rating only.

Eye damage!


Avoid looking directly into the light source (meant especially for epileptics)!


- 


➤ **Minimum distance of illuminated objects**
The projector needs to be positioned so that the objects hit by the beam of light are at least 0.80 metres from the lens of the projector.
- t_a 45°C

➤ **Maximum ambient temperature**
Do not operate the fixture if the ambient temperature (T_a) exceeds 45°C (113°F).
- t_c 80°C


➤ **Temperature of the external surface**
The maximum temperature that can be reached on the external surface of the fitting, in a thermally steady state, is 80°C (176°F).
- IP 65


➤ **IP65 protection rating**
Completely prevent external intrusion and dust entering. Avoid the damages to devices of water coming from the nozzle from different directions.
- 

➤ **Photobiological Safety**
CAUTION. Possibly hazardous optical radiation emitted from this product. Do not stare at operating lamp. May be harmful to the eyes.
- 

➤ **Light collimation system**
This product contains internal light collimation system. Avoid intense light from any angle.
- 

➤ **The products to which this manual refers comply with the European Directives pursuant to:**

 - Safety of electrical equipment supplied at low voltage (LVD)
EN 60598-1:2015
EN 60598-2-17:1989+A2:1991
 - Electromagnetic Compatibility (EMC)
EN 55015:2013/A1:2015
EN 61000-3-2:2014
EN 61000-3-3:2013
EN 61547:2019
- 

➤ **Protection against electrical shock**
Connection must be made to a power supply system fitted with efficient earthing (Class I appliance according to standard EN 60598-1). It is, moreover, recommended to protect the supply lines of the projectors from indirect contact and/or shorting to earth by using appropriately sized residual current devices.
- 

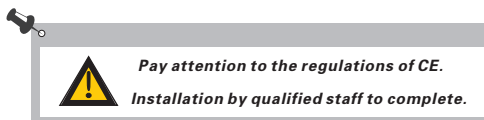
3. Operating determinations

- This device is a moving-head for creating decorative effects and was designed for indoor use only.
- If the device has been exposed to drastic temperature fluctuation (e.g. after transportation), do not switch it on immediately. The arising condensation water might damage your device. Leave the device switched off until it has reached room temperature.
- Never run the device without lamp!
- Do not shake the device, Avoid brute force when installing or operating the device.
- Never lift the fixture by holding it at the projectorhead, as the mechanics may be damaged. Always hold the fixture at the transport handles.
- When choosing the installation-spot, please make sure that the device is not exposed to heat, moisture or dust. There should not be any cables lying around. You endanger your own and the safety of others!

- The minimum distance between light output and the illuminated surface must be more than 0.2 meters.
- Make sure that the area below the installation place is blocked when rigging, derigging or servicing the fixture.
- Always fix the fixture with an appropriate safety rope, Fix the safety rope at the correct holes only.
- Operate the fixture after having checked that the housing is firmly closed and all screws are tightly fastened.
- The lamp must never be ignited if the objective-lens or any housing-cover is open, as discharge lamps may explode and emit a high ultraviolet radiat, which may cause burns.
- The maximum ambient temperature 40° C must never be exceeded.
- Operate the device only after having familiarized with its functions. Do not permit operation by persons not qualified for operating the device. Most damages are the result of unprofessional operation!
- Please use the original packaging if the device is to be transported.
- Please consider that unauthorized modifications on the device are forbidden due to safety reasons!
- If this device will be operated in any way different to the one described in this manual, the product may suffer damages and the guarantee becomes void. Furthermore, any other operation may lead to dangers like short-circuit, burns, electric shock, burns due to ultraviolet radiation, lamp explosion, crash etc.

4. Rigging the fixture

4.1 Mounting



- ☞ For the various mounting positions of the FIXTURE (standing on the floor, sideways or hanging different accessories kits are available.
- ☞ Through this a safe and firm installation is assured.
- ☞ You'll find special connectors on the bottom side of the system which are put to use here.

4.2 Installing the Clamps

Please consider the respective national norms during the installation! The installation must only be carried out by an authorized dealer!

The installation of the projector has to be built and constructed in a way that it can hold 10 times the weight for 1 hour without any harming deformation.

The installation must always be secured with a secondary safety attachment, e.g. an appropriate catch net. This secondary safety attachment must be constructed in a way that no part of the installation can fall if the main attachment fails.

When servicing the fixture staying in the area below the installation place, on bridges, under high working places and other endangered areas is forbidden.

The operator has to make sure that safety-relating and machine-technical installations are approved by an expert before taking into operation for the first time and after changes before taking into operation another time.

The operator has to make sure that safety-relating and machine-technical installations are approved by an expert after every four year in the course of an acceptance test.

The operator has to make sure that safety-relating and machine-technical installations are approved by a skilled person once a year.

The projector should be installed outside areas where persons may walk by or be seated.

Important! Overhead rigging requires extensive experience CE, including (but not limited to) calculating working load limits, installation material being used, and periodic safety inspection of all installation material and the projector. If you lack these qualifications, do not attempt the installation yourself, but instead use a professional structural rigger. Improper installation can result in bodily injury and or damage to property.

The projector has to be installed out of the reach of people.

If the projector shall be lowered from the ceiling or high joists, professional trussing systems have to be used. The projector must never be fixed swinging freely in the room.

Caution Projectors may cause severe injuries when crashing down! If you have doubts concerning the safety of a possible installation, do not install the projector!

Before rigging make sure that the installation area can hold a minimum point load of 10 times the projector's weight.

The projector can be placed directly on the stage floor or rigged in any orientation on a truss without altering its operation characteristics.

For overhead use, always install a safety-rope that can hold at least 10 times the weight of the fixture. You must only use safety-ropes with screw-on carabines. Pull the safety-rope through the two apertures on the bottom of the base and over the trussing system etc.



Warning: it is necessary to make sure that the installation location is perfectly appropriate, and the installation location is safe and reliable.

4.3 Power supply connection and cut off

Connect the light source to the main power source with the plug of the power cord, or cut off the power supply:

4.4 Power Connection

If you wish to change the power supply settings, see the chapter appendix. Connect the fixture to the mains with the enclosed power cable and plug.

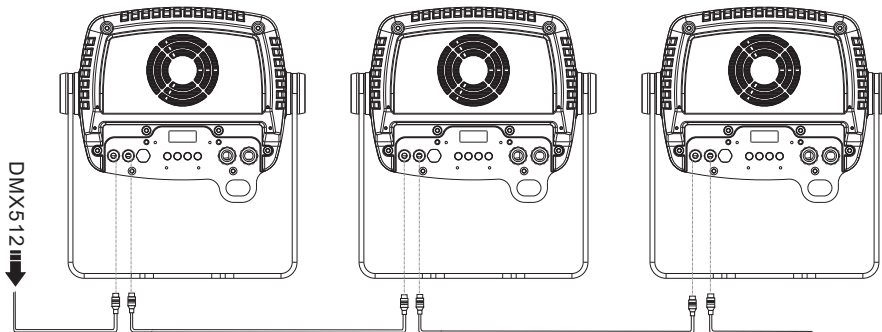


Warning: please verify the power of the power supply equipment prior to the connection! Earth wire must be grounded!

CABLE(EU)	CABLE(US)	Pin	INTERNATIONAL
Brown	Black	Live	L
Light blue	White	Neutral	N
Yellow/Green	Green	Earth	⊕

4.5 DMX-512 connection/connection between fixtures

Only use stereo shielded cable and 3-pin XLR-plugs and connectors in order to connect.



Caution

At the last fixture, the DMX-cable has to be terminated with a terminator. solder a 120 resistor between signal(-) and Signal (+) into a 3-pin XLR-plug and plug it in the DMX-output of the last fixture.

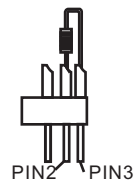
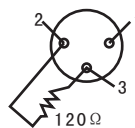
DMX output 3-pin XLR socket DMX input 3-pin XLR socket



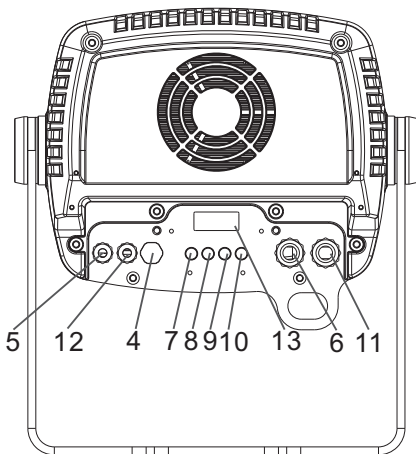
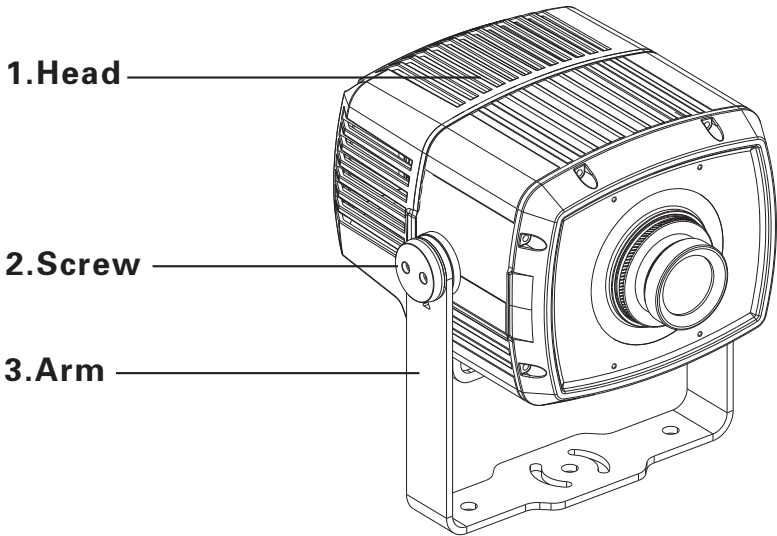
- 1: Ground
- 2: Signal (-)
- 3: Signal (+)

DMX Terminator Diagram

-For installations where the DMX cable has to run a long distance or is in an electrically noisy environment it is recommended to use a DMX terminator. This helps in preventing corruption of the signal by electrical noise. The DMX terminator is simply an XLR plug with a 120Ω resistor connected between pins 2 and pins 3, which is then plugged into the output XLR socket of the last fixture in the chain.



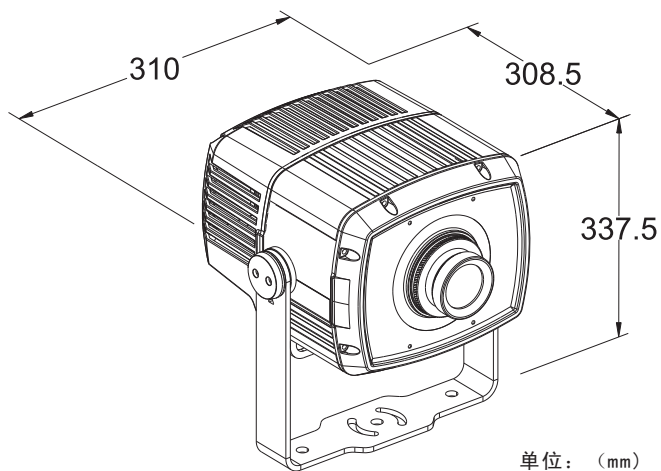
5.Description of the device



- 4.Respirator
- 5. 3-pin XLR male
- 6. Power-In
- 7. MODE button
- 8. UP button
- 9. DOWN button
- 10. ENTER button
- 11.Power-Out
- 12. 3-pin XLR female
- 13.LED display

1) 10° 20° 30° 45° 60° lens(Optional).

6.Dimension



7.Display control

7.1 Navigation in the Menu

Using the buttons, and this can be simply and easily set the address code and function code.

If you view or modify the lighting feature set, then press ENTER button, the display will enter the menu interface. Both there is sub menu corresponding to the functional operation of the main menu. Each of the menus is representative of the specific features of the lamp. The specific contents shows as the table menu below.

Set or browse lighting function, press UP or DOWN button.

Press ENTER to save your changes or enter the submenu. Press the UP or DOWN can change the numerical (increase or decrease in value).

Press the MODE button to return to menu.

7.2 Display Operation

-When the power on, if the display is flashing, it indicates that the DMX signal connection is unnormal.

If there is a channel failure in the reset process, the LCD screen will display the corresponding fault information, can be compared to the information content of the lamp to be amended, if in doubt, consult the relevant technical personnel. - (Error List)

CODE #	ERRO INFO	CHECK MEASURMENT	Note
	Spi Err	Check the welding of memory IC	RESET ERROR
	Prg Err	Upgrade again	
	BD1 Err	Check main cable ABAB (485) chip	
	UID Err	Enter again	
	Colour Err	Check cable of sensor, distance and location of ,magnets and sensor	

The following blank.

7.3 Menu Maps

DMXA	Set DMXA	001-XXX			
	No Dmx	Hold *			
		Close			
		Prg1			
		Prg2			
		Prg3			
StAlone	Alone*				
	Master 1				
	Master 2				
	Master 3				
	Slave				
		Prg 1/ 2/3	Scene (1-30)	HoldTime	
				FadeTime	
				Dimmer	
				Strobe	
				Function	
			Macro		
			Colour		
			Wgobo1		
			Wgobo2		
			Reset?		
	Prg1Rst	Yes?			
	Prg2Rst				
	Prg3Rst				
	CapDmx	Start?			
PrgPlay	Prg1	Run? Stop?			
	Prg2				
	Prg3				
Test	CH01				
	CH02				
	CH03				
	.				
	.				
Pers	DSP.OFF	OFF			
		1 Minut*			
		5 Minut			
		60 Minut			
	Calibrat	XXXX			
	Default	Reset?			
	Reset	Colour Rs	Reset?		
Fan Mode	Auto *				
	High				
RDM	ON				
	OFF				
Info	FixTime	Total			
		Reset	Reset?		
	LedTime	Total			
		Reset	Reset?		
	Temp	LED	xx° C		
		DSP.	xx° C		
	DMX Live			
Err Inf				
Fw Ver	XX.YY				
Serial N	XXXXX	Note:Hold "up +Down " 5s to edit.			

8.DMX protocol

Mode1	Name	Function	DMX Value	
1	Dimming	Closed	0-5	
		Dimming 0%-100%	6-240	
		OPEN	241-255	
2	Strobe	No Effect	0-10	
		Pulse up 1 (slow)	11-20	
		Pulse up 2	21-30	
		Pulse up 3	31-40	
		Pulse up 4	41-50	
		Pulse up 5	51-60	
		Pulse up 6	61-70	
		Pulse up 7 (fast)	71-80	
		Led Off	81-90	
		Pulse down 1 (slow)	91-100	
		Pulse down 2	101-110	
		Pulse down 3	111-120	
		Pulse down 4	121-130	
		Pulse down 5	131-140	
		Pulse down 6	141-150	
		Pulse down 7 (fast)	151-160	
		Led Off	161-170	
		Strobe 1 (slow)	171-180	
		Strobe 2	181-190	
		Strobe 3	191-200	
Strobe 4	201-210			
Strobe 5	211-220			
Strobe 6	221-230			
Strobe 7 (fast)	231-240			
No effect	241-255			
3	Function	NO Function	0-39	
		To activate following functions , stop in DMX value for at least 5 sec.		
		NO DMX Hold	40-44	
		NO DMX Closed	45-49	
		NO DMX program 1	50-54	
		NO DMX program 2	55-59	
		NO DMX program 3	60-64	
		NO Function	65-149	
		Color Reset	150-159	
		Gobo Reset	160-169	
		NO Function	170-199	
		Total Reset	200-209	
		NO Function	210-255	
4	Effect	NO Function	0-10	
		Effect 1	11-20	
		Effect 2	21-30	
		Effect 3	31-40	
		Effect 4	41-50	
NO Function	51-255			
5	Color Wheel	White	0	
		Color 1	17	
		Color 2	34	
		Color 3	51	
		Color 4	68	
		Color 5	85	
		Color 6	102	

Mode1	Name	Function	DMX Value
5	Color Wheel	Color 7	119
		White	133
		Proportional clockwise rotation SLOW→FAST	134–183
		White	184–194
		Proportional counterclockwise rotation FAST→SLOW	195–244
6	Water gobo 1	White	245–255
		Stop	0
		Proportional counterclockwise rotation FAST→SLOW	1–127
		Proportional clockwise rotation SLOW→FAST	128–255
7	Water gobo 2	Stop	0
		Proportional clockwise rotation SLOW→FAST	1–127
		Proportional counterclockwise rotation FAST→SLOW	128–255

9. Maintenance and cleaning

DANGER: Disconnect from the mains before starting any maintenance work.

It is absolutely essential that the fixture is kept clean and that dust, dirt and smoke fluid residues must not buildup on or within the fixture. Otherwise, the fixtures light-output will be significantly reduced. Regular cleaning will not only ensure the maximum light-output, but will also allow the fixture to function reliably through out its life. A soft lint-free cloth moistened with any good glass cleaning fluid is recommended, under no circumstances should alcohol or solvents be used!

The front objective lens will require weekly cleaning as smoke-fluid tends to building up residues, reducing the light-output very quickly. The cooling-fans should be cleaned monthly.

The gobos may be cleaned with a soft brush, The interior of the fixture should be cleaned at least annually using a vacuum-cleaner or an air-jet.

There are no serviceable parts inside the device except for the lamp and the fuse.

Replacing the fuse: If the lamp burns out, the fine-wire fuse of the device might fuse, too. Only replace the fuse by a fuse of same type and rating. Before replacing the fuse, unplug mains lead.

Maintenance and maintenance of the operation, please contact the manufacturer or distributor.

10. Electric equipment specification

10.1 Electrical paramters

SOURCE:300W White LED
 Max POWER:300W
 VOLTAGE:AC100-240V 50/60HZ
 Color temperature: 8000K

10.2 Weight and dimensions

Dimensions : 308.5X310X337.5mm
 NET WEIGHT:8.5Kg
 Dimensions (Carton package) : 500X360X350mm
 WEIGHT (Carton package) : 10Kg

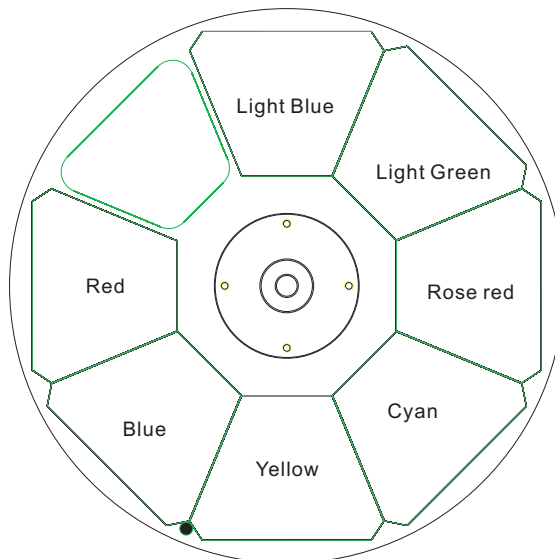
10.3 Channel Characteristics

- 1.Channel:7 DMX-512.
- 2.Demmer: limear dimmer.
- 3.Shutter: electronic shutter, random strobe.
- 4.Colour wheel:One open+7colors.
- 5.2 Water gobo .

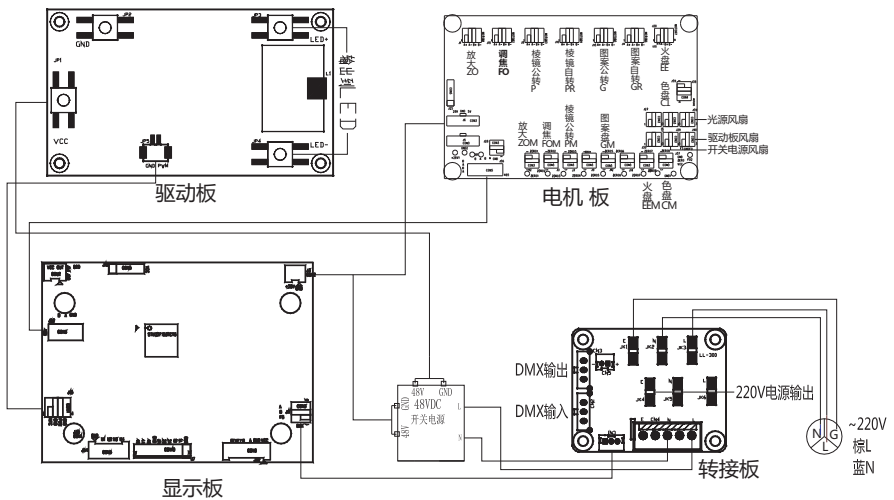
10.4 Menu Function

- 1.LCD display.
- 2.Display the time using of lighting feature and lamp as well as the times of turning on for lamp.
- 3.After the DMX signal is disconnected, the display will be bright and dark.
4. Software upgrade function.

10.5 Color Wheel



11. Electronic drawing



Note: The above contents for reference only and is subject to change without prior notice, please take specification you have on hand and our company reserves the final right of interpretation.



<http://www.jollylighting.com>

Guangzhou hongcai stage equipment Co.,Ltd

Tel:+862084558833 Fax:+862084559699
Email:info@jollylighting.com P.C:511450

Add:No.30,Changsha Street, Shachong Village,shiji Tow.Panyu District,Guangzhou,China